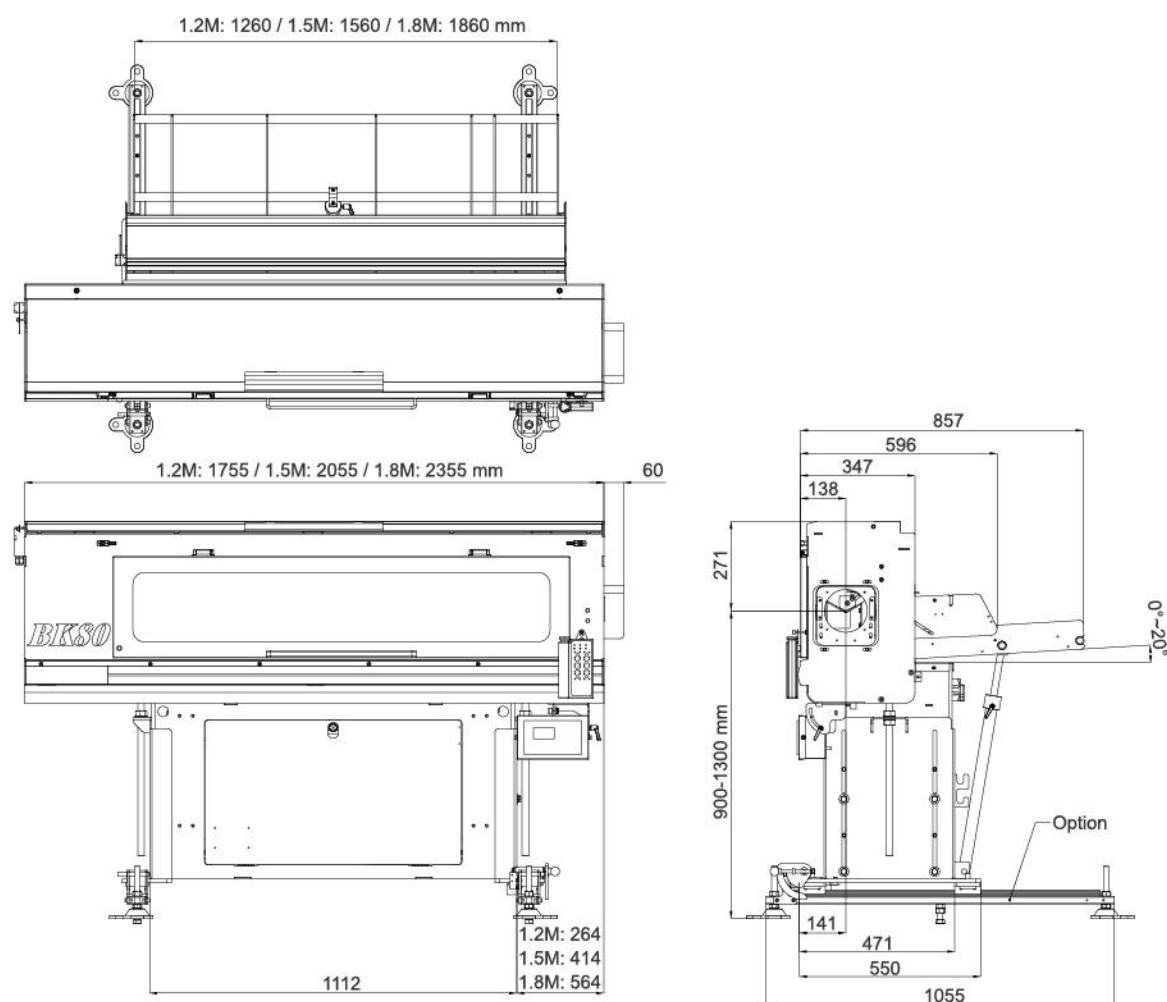


型號	MODEL	BK80 / BK80L / BK80LL
材料長度	BAR LENGTH	1.2 M / 1.5 M / 1.8 M
材料外徑	MATERIAL DIAMETER	5-80 mm
棒材置料量	BAR CAPACITY	80 mm / 8 pcs
機械寬度	MACHINE WIDTH	950 mm
機械重量	MACHINE WEIGHT	400 kg / 450 kg / 500 kg
主馬達	MOTOR	伺服馬達 SERVO MOTOR
主電力	POWER SUPPLY	1 x 220v / 1 x 380v 50Hz
消耗功率	POWER CONSUMPTION	750W

若需要其他資料請上網查詢 Check our website for more details at: [www.barload.com.tw](http://www.barload.com.tw)



規格如有更改，恕不另行通知。 The spec is subject to change without prior notice.

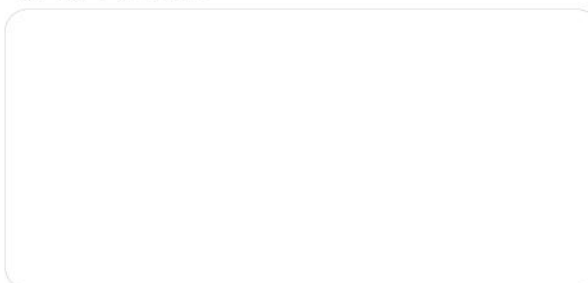


**富豪機電股份有限公司**  
**BARLOAD MACHINE CO., LTD.**

No. 138, Wei-Hsin Road, Shi-Pai Li, Chang-Hua City, Taiwan 50080  
 50080彰化市石牌里維新路138號  
 TEL: +886-4-7384895 FAX: +886-4-7320282  
 E-mail: [info@barload.com.tw](mailto:info@barload.com.tw)

[www.barload.com.tw](http://www.barload.com.tw)

經銷商 Agent

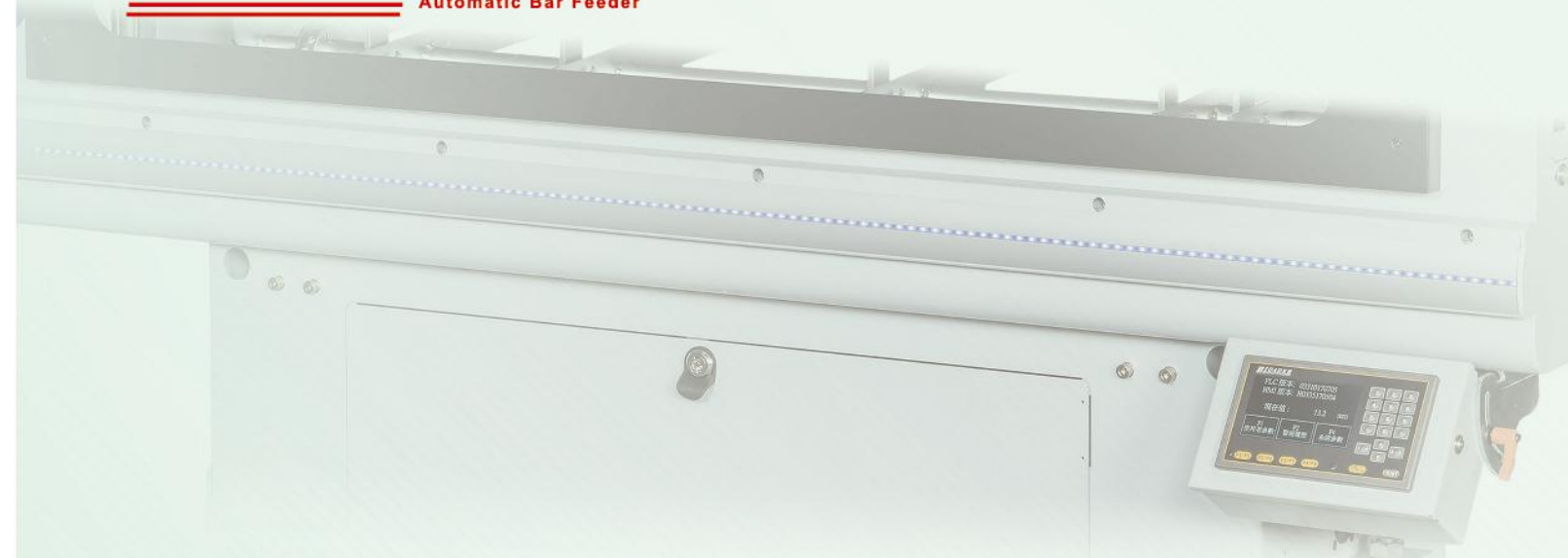


本公司保留設計變更的權利 All Rights Reserved.

ACW 2017.09.1000CE



[www.barload.com.tw](http://www.barload.com.tw)



創新研發 · 台灣領航  
 品質追求 · 世界第一

Quality Innovation  
 Reliability Experience



**BK 80**  
 系列 Series  
 5 - 80 mm

**SHORT BAR FEEDER**

短棒材送料機







**LED遠端監控**  
LED-stripe Display Features Operative Status

- ▶ LED燈光外部顯示器，送料加工中棒材長度、換料、送料機異常、車床異常等訊息經LED燈光顯示以視覺表現，方便工作人員遠距離監控。(專利)
- ▶ Equipped with LED external display. During bar feeding, various messages such as "bar length", "bar change", "feeder error", and "CNC lathe error" are more easily shown, permitting remote monitoring. (Patented)



**切端結構**  
Top-cut Configuration

- ▶ 切端機構穩定，小棒材亦可精密偵測。
- ▶ New design top-cut system, precision measuring with small diameter.



**智慧型人機介面**  
Fuzzy Human Machine Interface

- ▶ 專用式人機面板，設定操作簡單，並內建多功能模式選擇，以因應不同使用需求。
- ▶ 全電式設定。
- ▶ 棒材大小直接設定
- ▶ Multi-function features with Human-machine-interface display. Friendly user.
- ▶ Electrical mode setting.
- ▶ Bar sizes setting conveniently.



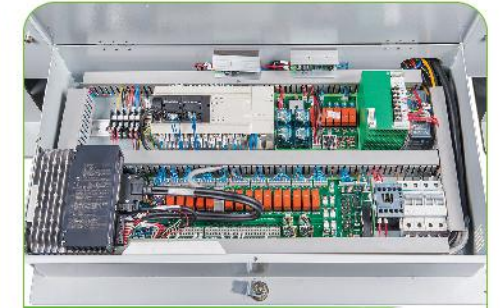
**更換押棒簡便快速**  
Quickly pusher change

- ▶ 下料機構一次調整，精確度高。
- ▶ 押棒快速更換，免工具。
- ▶ Single point diameter adjustment for bar loading.
- ▶ Quick-pusher changeover, free tools supports.



**移動式底盤**  
Movable Base

- ▶ 置料盒穩固，可置80mm實心材料8支，方便車床主軸維修及更換主軸襯套。
- ▶ The bar storage box is extremely stable, which can store 8 pieces of 80mm solid bar. Making it convenient for lathe spindle maintenance and replacement of spindle bushing.

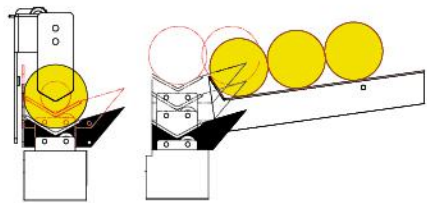


**電控系統**  
Electrical System

- ▶ 全功能三菱PLC控制器與全方位資料庫軟體概念，送料工作中位置、扭力、速度，搭配車床控制精準。
- ▶ Mitsubishi PLC data bank. Feeding position, torque and speed are accurately and perfectly interfaced with lathes.



**下料系統**  
LOADING SYSTEM



- 提高CNC車床加工密度與加工速度。
- 黑皮材料，六角材料適用。
- 伺服送料系統人機設定穩定精確。
- 更換材料時，材料中心人機設定調整。
- 全電式，無氣壓。
- 已通過CE認證。
- Increases speed and accuracy for CNC lathe.
- Servo feeding system. Fast and accurate.
- All electrical control mechanical driving transmission, no air required.
- External LED display, easier to monitor feeding situation.
- CE certificated.



**BK 80**  
系列 Series

**SHORT BAR FEEDER**

短棒材送料機